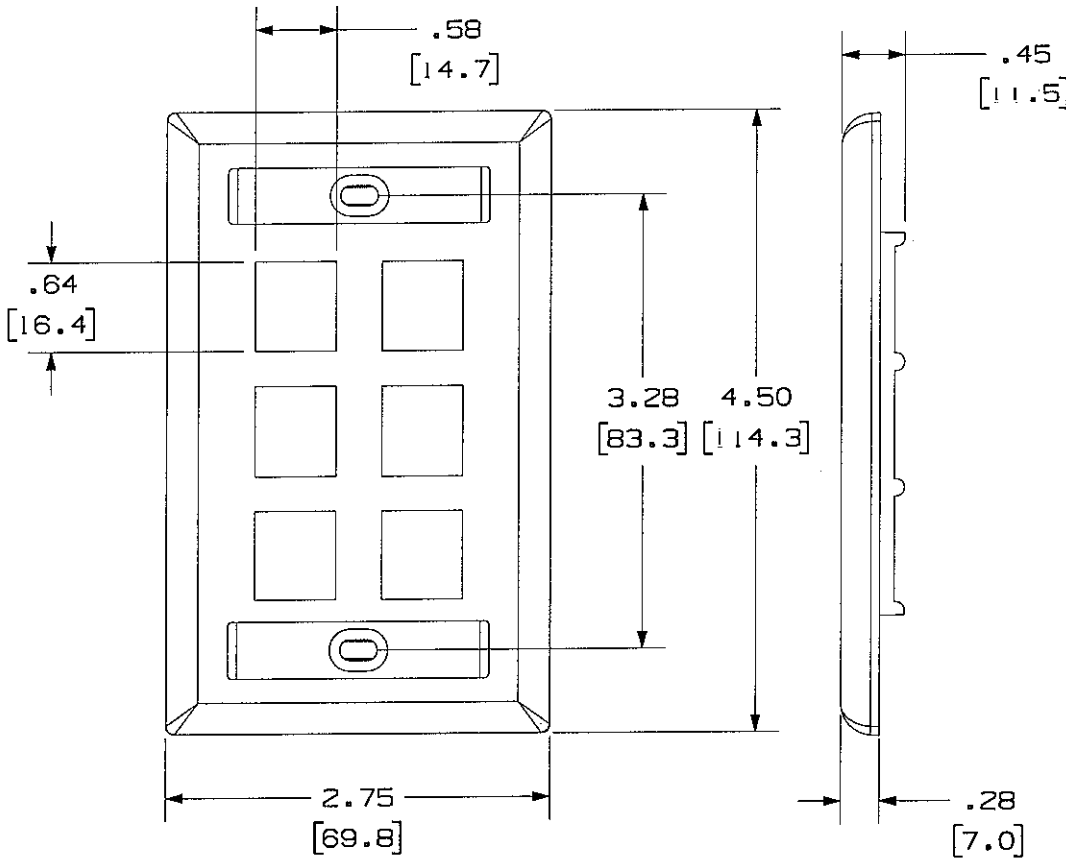
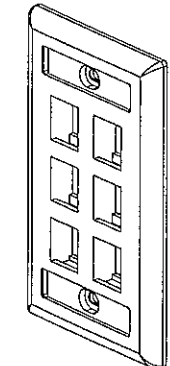


THIS COPY IS PROVIDED ON A RESTRICTED BASIS AND IS NOT TO BE USED IN ANY WAY DETRIMENTAL TO THE INTERESTS OF PANDUIT CORP.

PANDUIT P/N	WEIGHT
NK6F**Y	.52 LB/10 PCS (234 g/10 PCS)



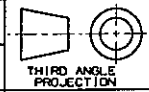
- NOTES:
1. SEE CURRENT CATALOG FOR ADDITIONAL PART SUFFIXES TO INDICATE COLOR AND OR PACKAGE QUANTITY.
  2. FACEPLATE WILL ACCEPT SIX STANDARD NETKEY MODULES.
  3. PART INCLUDES:
    - 1- FACEPLATE
    - 2- MOUNTING SCREW
    - 2- LABEL
    - 2- LABEL COVER
  4. DIMENSIONS IN [ ] ARE IN METRIC.



MODEL FILENAME	M00661BE_KEYSTONEFP6_01.PRT	SIZE	A
DRAWING FILENAME	M02479BH_DC034_00A.PRT		

NETKEY 6 POSITION SINGLE GANG  
FACEPLATE WITH LABEL  
CUSTOMER DRAWING

NETWORK SYSTEMS  
AUG 18 2006  
ENGINEERING DEPT



ALL DIMENSIONS ARE GIVEN IN INCHES, UNLESS OTHERWISE SPECIFIED.  
DIMENSIONAL TOLERANCES ARE:  
(.X) ±.03 (XXX) ±.005  
(.XX) ±.01 ANGLES ± 1°

I.I. NUMBER	N/A
PRODUCT SPEC	N/A
WORK INSTRUCTION	N/A
SCALE	NONE
PART NO.	NK6F**Y
DRAWING NO.	02479-034

REV	DATE	BY	CHK	DESCRIPTION	ECN	R	CUST	SUP	OTH
R	7-29-06	JsP	MAD	RELEASED TO PRODUCTION	02479-034				

DRAWN BY	JsP
DATE	12-3-01
MATERIAL:	ABS
CHK'D	MAD